



SERVING THE FOOD INDUSTRY SINCE 1951

Square Glass Countertop Display Warmers

ITEM:	47425	47426	47427	47428
MODEL:	DW-CN-0120-5	DW-CN-0160-5	DW-CN-0202-5	DW-CN-0252-5



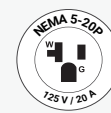
Keep your products fresh, warm, and ready to serve.

The square countertop display warmer features three spacious shelves, with a large capacity and a crystal-clear view to enhance product presentation. Its modern design, paired with high-quality materials, delivers both functionality and a premium aesthetic, ensuring your items are showcased to maximum effect.

Designed for performance, this unit features a built-in water tray to maintain moisture and prevent food from drying, while precise temperature control ensures consistent quality. Interior LED illumination enhances product visibility, and chrome-plated shelves, flat front glass, and smooth sliding doors provide durability, convenience, and ease of use in any commercial setting.

FEATURES:

- Interior LED Illumination
- 3 Spacious chrome plated shelves
- Adjustable temperature controller & display
- Flat Front glass
- Sliding Doors
- Equipped with water tray to prevent food drying out



DISPLAY WARMER



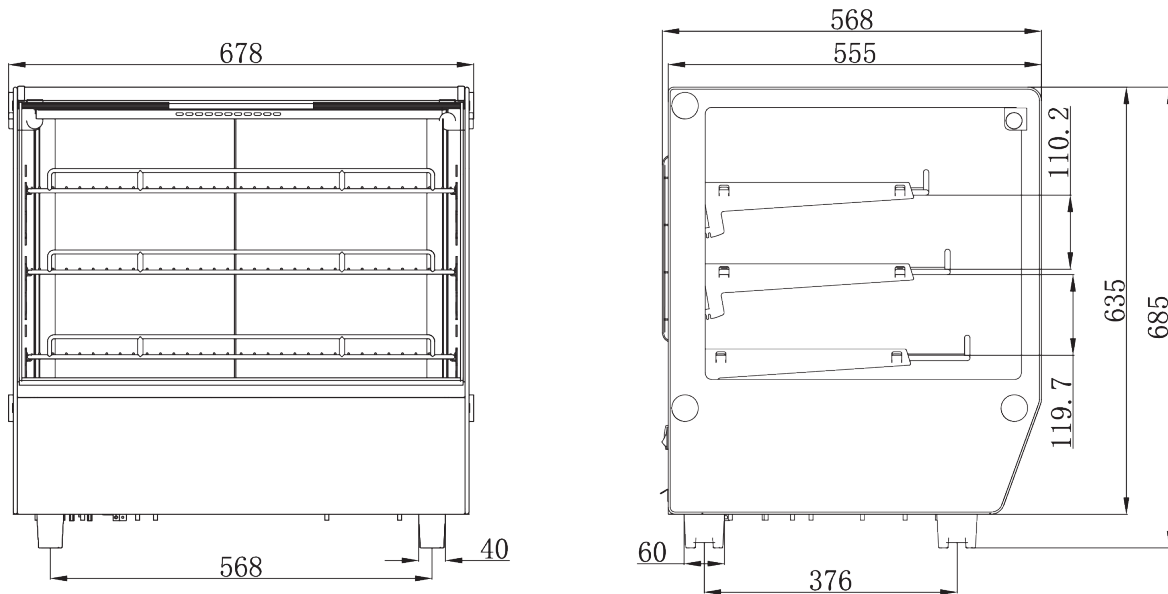
TECHNICAL SPECIFICATION				
Item	47425	47426	47427	47428
Model	DW-CN-0120-5	DW-CN-0160-5	DW-CN-0202-5	DW-CN-0252-5
Capacity	4.2 cu.ft/ 120 L	5.7 cu.ft/ 160 L	7.1 cu.ft/ 202 L	8.9 cu.ft/ 252 L
Shelf Capacity	33.1 lbs/ 15 kgs		40.1 lbs/ 20 kgs	55.1 lbs/ 25 kgs
Shelf Size	15.7" x 25" / 398 x 636 mm 14.4" x 25" / 367 x 636 mm 13.2" x 25" / 335 x 636 mm	15.7" x 32" / 398 x 813 mm 14.4" x 32" / 367 x 813 mm 13.2" x 32" / 335 x 813 mm	15.7" x 46" / 398 x 1167 mm 14.4" x 46" / 367 x 1167 mm 13.2" x 46" / 335 x 1167 mm	15.7" x 58" / 398 x 1470 mm 14.4" x 58" / 367 x 1470 mm 13.2" x 58" / 335 x 1470 mm
Number of Shelves	3			
Temperature Range	86 - 194°F / 30 - 90°C			
Electrical	110 V / 60 Hz / 1 Ph			
Interior Dimensions	26" x 20" x 17" / 662 x 511 x 430 mm	33" x 20" x 17" / 841 x 511 x 430 mm	47" x 20" x 17" / 1193 x 511 x 430 mm	59" x 20" x 17" / 1498 x 511 x 430 mm
Lamp Power	3.2 W	5.8 W	10 W	10 W
Power	1800 W			
Current	15 A			
Net Dimensions (WDH)	26.7" x 22.4" x 27" / 678 x 568 x 686 mm	33.7" x 22.4" x 27" / 856 x 568 x 686 mm	48" x 23" x 27" / 1219 x 588 x 686 mm	60" x 22.4" x 27" / 1524 x 568 x 686 mm
Net Weight	84.9 lbs/ 38.5 kgs	103.6 lbs/ 47 kgs	132.3 lbs/ 60 kgs	163 lbs/ 74 kgs
Gross Dimensions (WDH)	29.5" x 24.7" x 28.8" / 749 x 627 x 731 mm	36.5" x 24.7" x 28.8" / 928 x 627 x 731 mm	51" x 25" x 29" / 1290 x 627 x 735 mm	62.8" x 24.7" x 28.8" / 1595 x 627 x 731 mm
Gross Weight	91.5 lbs/ 41.5 kgs	110.2 lbs/ 50 kgs	139 lbs/ 63 kgs	172 lbs/ 78 kgs
Plug Type	NEMA 5-20P			



TECHNICAL DRAWING

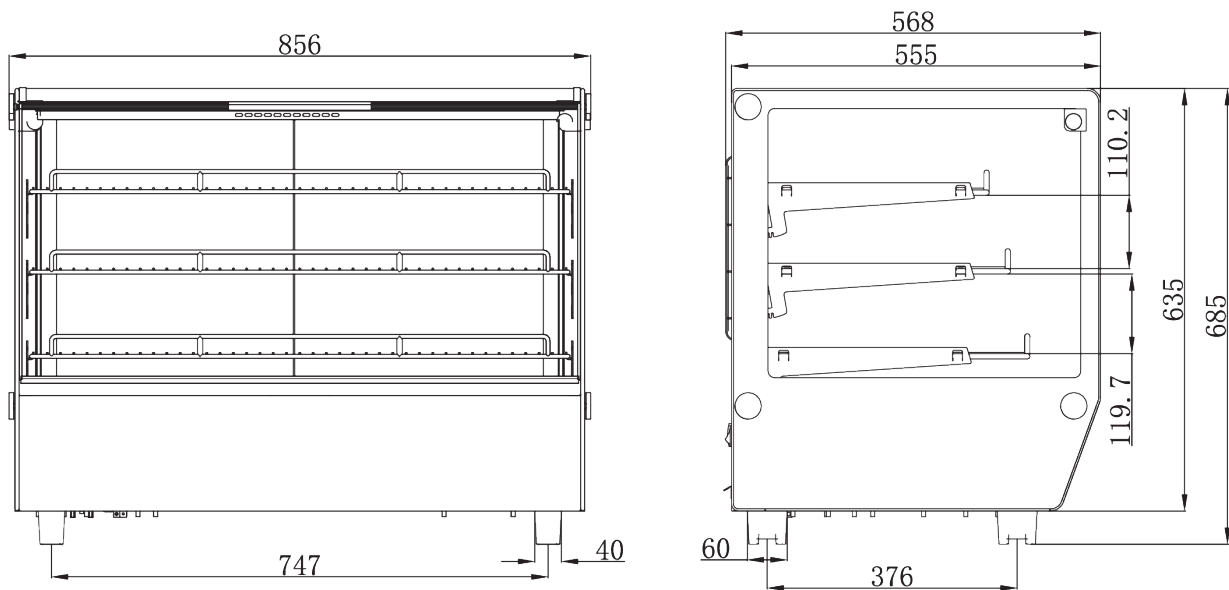
Item: 47425

Dimensions rounded up to the nearest millimeter.



Item: 47426

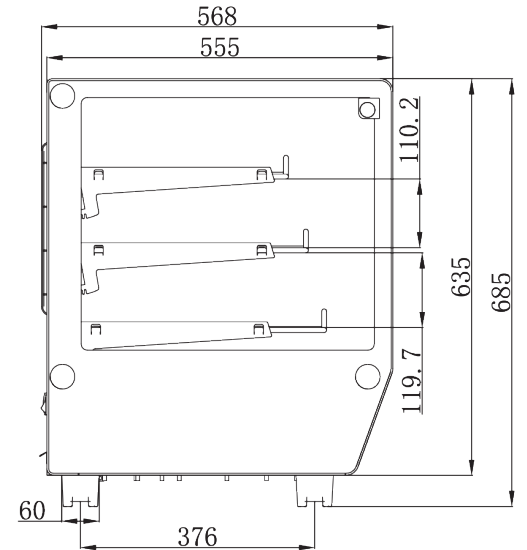
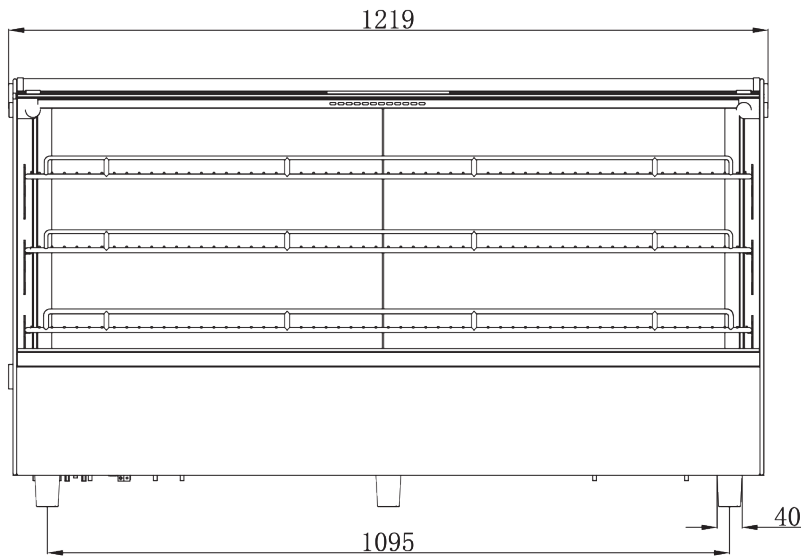
Dimensions rounded up to the nearest millimeter.



TECHNICAL DRAWING

Item: 47427

Dimensions rounded up to the nearest millimeter.



Item: 47428

Dimensions rounded up to the nearest millimeter.

